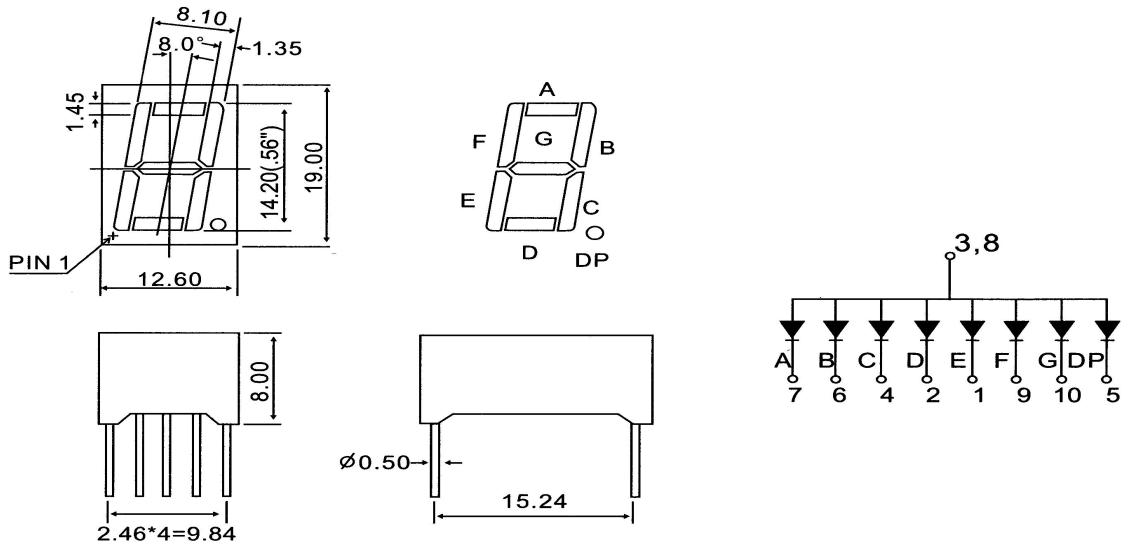
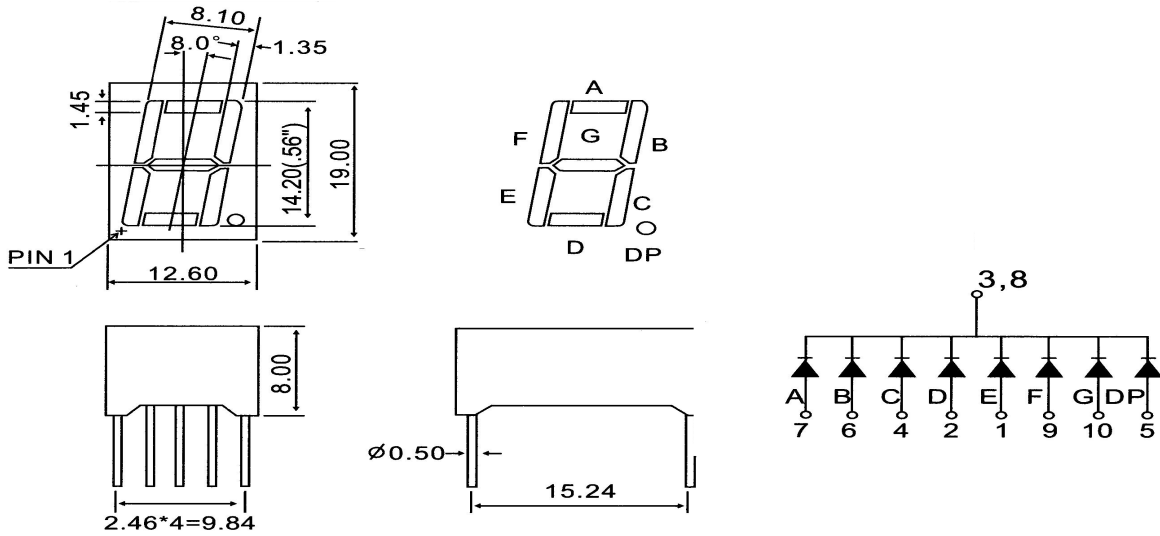


Model: HLX5611AS/5161AS/SM120561K

HLX5611BS/5161BS/SM110561K



ELECTRICAL-OPTICAL CHARACTERISTICS(Ta=25°C)

PartNO.	C.C Or C.A	Emitted Color	λ_P (nm)	Electro-Optical Characteristics IF=20mA				
				IV(mcd)/seg		VF(v)		IF (Rec)
				Min	Typ	Typ	Max	
HLX5611ASR	C.C	Red	640	0.3	0.65	2.2	2.5	5~10
HLX5611ASG		Green	571	0.8	2	2.2	2.5	10~20
HLX5611ASY		Yellow	585	0.6	1.5	2	2.5	10~20
HLX5611ASHN		Orange	610	0.7	1.6	2	2.5	10~20
HLX5611ASH		High Red	630	1.5	5.5	1.8	2.3	10~20
HLX5611BSR	C.A	Red	640	0.3	0.65	2.2	2.5	5~10
HLX5611BSG		Green	571	0.8	2	2.2	2.5	10~20
HLX5611BSY		Yellow	585	0.6	1.5	2	2.5	10~20
HLX5611BSHN		Orange	610	0.7	1.6	2	2.5	10~20
HLX5611BSH		High Red	630	1.5	5.5	1.8	2.3	10~20